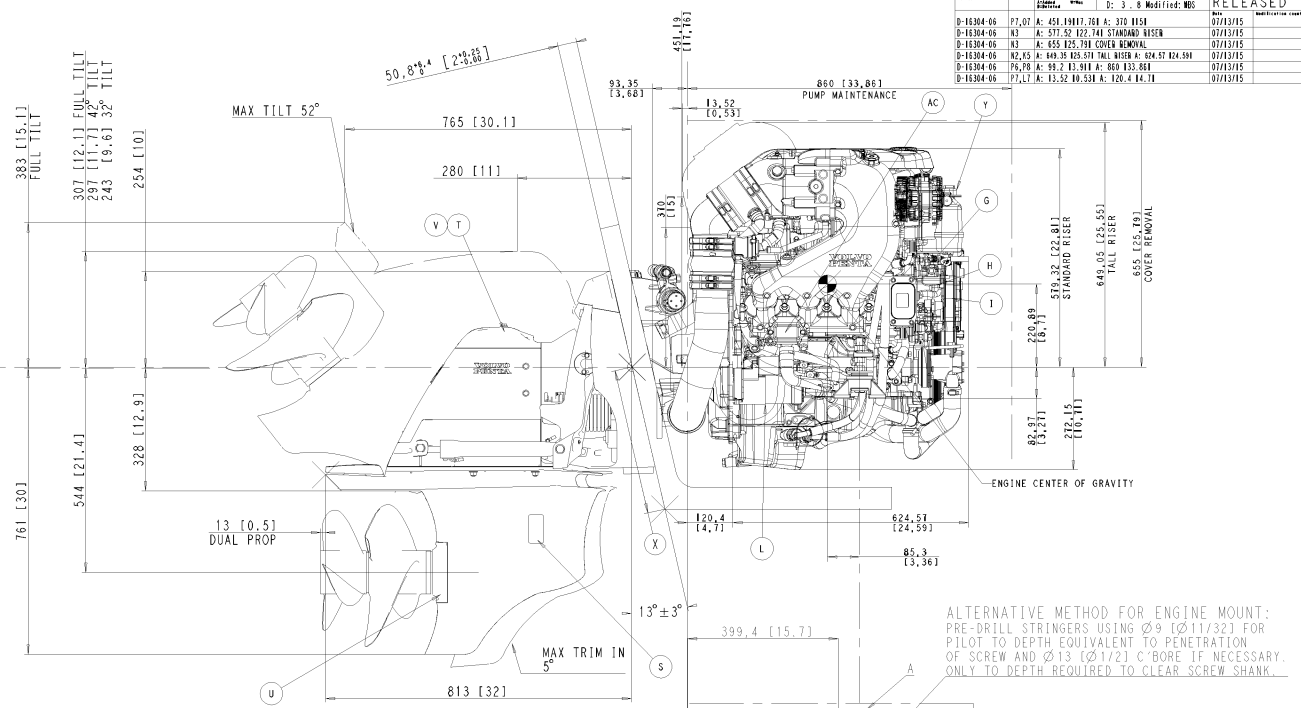
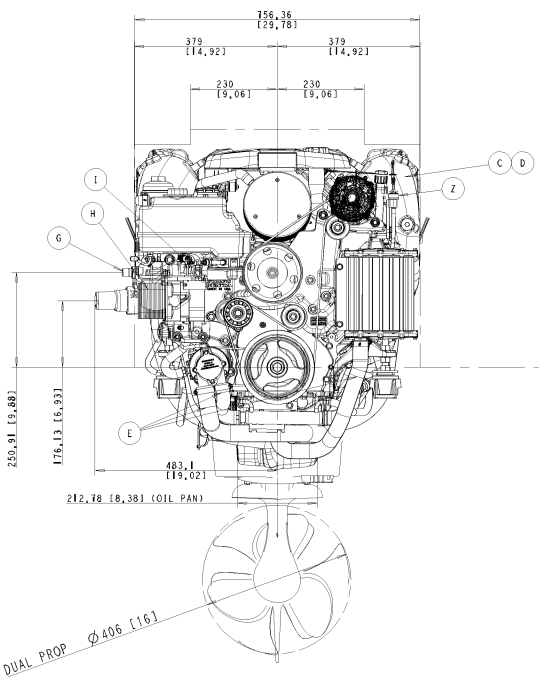


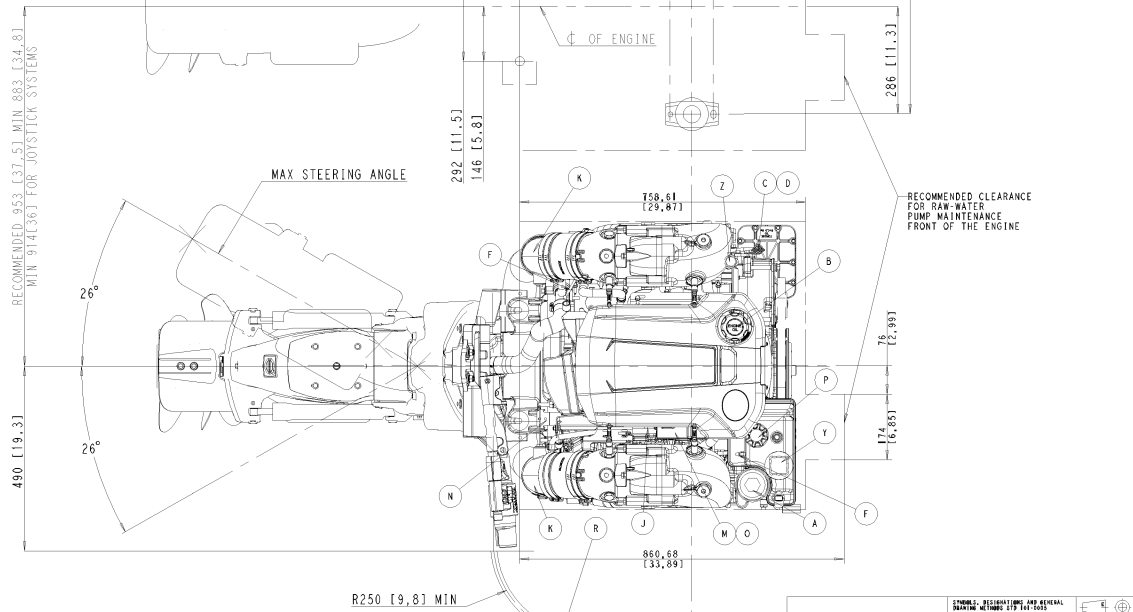
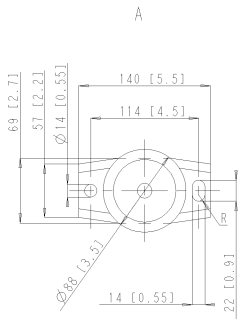
Part No.	02713/15
Rev.	02713/15
Mod.	02713/15
02713/15	
02713/15	
02713/15	
02713/15	
02713/15	
02713/15	
02713/15	



ALTERNATIVE METHOD FOR ENGINE MOUNT:
 PRE-DRILL STRINGERS USING Ø9 [Ø11/32] FOR
 PILOT TO DEPTH EQUIVALENT TO PENETRATION
 OF SCREW AND Ø13 [Ø1/2] C-BORE IF NECESSARY.
 ONLY TO DEPTH REQUIRED TO CLEAR SCREW SHANK.

STRINGERS MAY HAVE TO BE RELIEVED FOR
 EXHAUST PIPE CLEARANCE. 2 PLACES.

LETTER	NAME
A	OIL FILTER, ENGINE
B	OIL FILL, ENGINE
C	OIL DRAIN, ENGINE
D	OIL DIPSTICK, ENGINE
E	RAW WATER DRAIN
F	LIFTING DEVICE
G	FUEL CONNECTION, I. D. 9,5 [3/8] NPT OR 6,35 [1/4] NPT
H	FUEL FILTER
I	ELECTRICAL FUEL PUMP
J	THROTTLE CABLE SINGLE
K	WATER COOLED EXHAUST PIPE FOR HOSE I. D. 98,4 [3 7/8"]
L	STARTER MOTOR
M	FUSE PANEL
N	ELECTRICAL CONNECTION ENGINE - INSTRUMENT PANEL
O	CIRCUIT BREAKER FOR TRIM PUMP
P	OIL FILL, POWER STEERING
R	STEERING CABLE
S	WATER INTAKE
T	OIL FILL, OUTBOARD UNIT
U	OIL DRAIN, OUTBOARD UNIT
V	OIL DIPSTICK, OUTBOARD UNIT
X	SEE INSTALLATION INSTRUCTIONS
Y	COOLANT FILL AND LEVEL CHECK
Z	ENGINE FLUSH
AC	ANODE, EXHAUST MANIFOLDS (BOTH SIDES)



RECOMMENDED CLEARANCE
 FOR RAW-WATER
 PUMP MAINTENANCE
 FRONT OF THE ENGINE

STANDARD IDENTIFICATION AND GENERAL INFORMATION

INSTALLATION DRAWING

4.3L GENV VS

22468232

03

VOLVO PENTA